

A. Granite Tweed
Plu #3505



B. Palm Trunk
PP #1006



C. Brite Aluminum
PP #4301



D. Sesame
Plu #2102

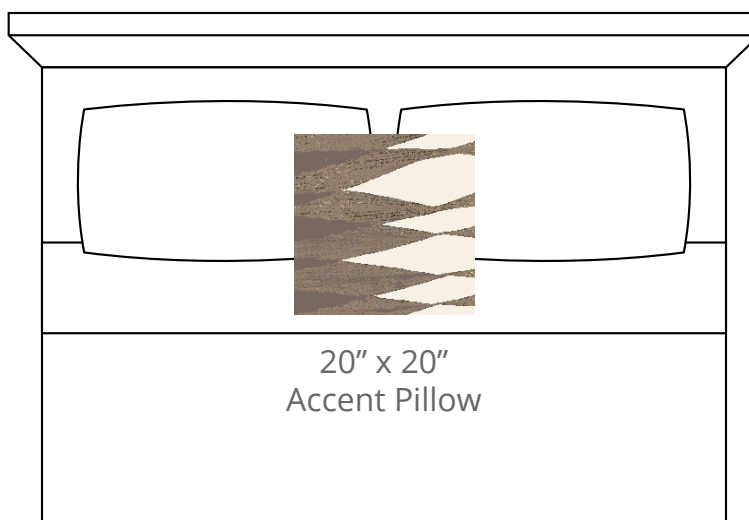
CONTENT
Polypropylene/
Polyplush

PATTERN REPEAT
24.75" Ver. x 31.625" Hor.

DESIGN TYPE
Geometric/Ombre

Products are made to the order
and can be customized within
the limitations of the knit
construction

*Start/Finish edges must
be Polypropylene excluding
Brite yarns



20" x 20"
Accent Pillow



24" x 96"
Bedscarf Throw
King mattress